



SPECIFICATION SHEET

UMACABLE HIGH QUALITY 3.5MM MALE TO 2 FEMALE Y SPLITTER CABLE

ITEM NO.: UMAV1005

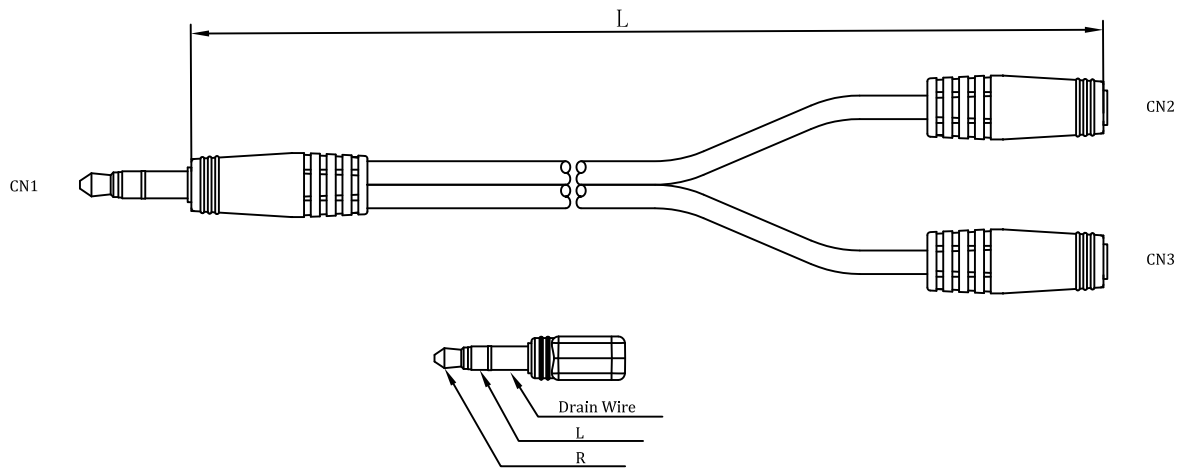


KEY FEATURES :

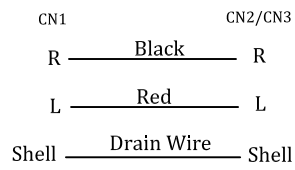
- High Quality standard 3.5mm Male to 2 Female Y Splitter Cable
- Splits a 3.5mm Stereo Audio output to two 3.5mm Stereo Audio ports
- Seamlessly transmits stereo audio for high quality sound while ensuring reliability and reducing signal loss and noise
- Flexible PVC jacket and bare copper conductors make a better performance
- Lifetime Warranty

UMACABLE HIGH QUALITY 3.5MM MALE TO 2 FEMALE Y SPLITTER CABLE

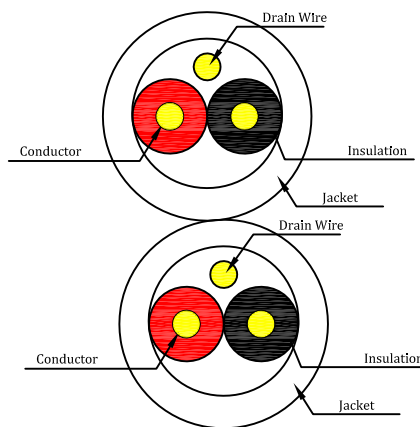
UMACABLE HIGH QUALITY 3.5MM MALE TO 2 FEMALE Y SPLITTER CABLE



Diagram



Construction



Electrical Characteristics:

DC Resistance:	300V
Dielectric Strength:	AC 500V/minute
Insulation Resistance:	10MΩ

Physical Characteristics:

Voltage Rating:	30V
Temperature Rating:	80°C
Approvals:	RoHS Compliant

Conductors (2 cores)

Conductor Type:	28AWG Bare Copper
Insulation:	Foamed PE
Color:	Red/Black

Overall

Drain Wire:	28AWG Bare Copper
Jacket:	PVC
OD:	3.0±0.2mm*2

Connector 1

Connector Type:	3.5mm Male
Plating:	Gold
Injection:	45P PVC

Connector 2

Connector Type:	3.5mm Female
Plating:	Gold
Injection:	45P PVC

Connector 3

Connector Type:	3.5mm Female
Plating:	Gold
Injection:	45P PVC

Customized Parameters

Guage:	AWG30, 28, 26
Length:	15cm
Color:	Black or Customized
Nylon Mesh:	Customized
Package type:	PE bag, Zip bag, Box, Hang card, Blist